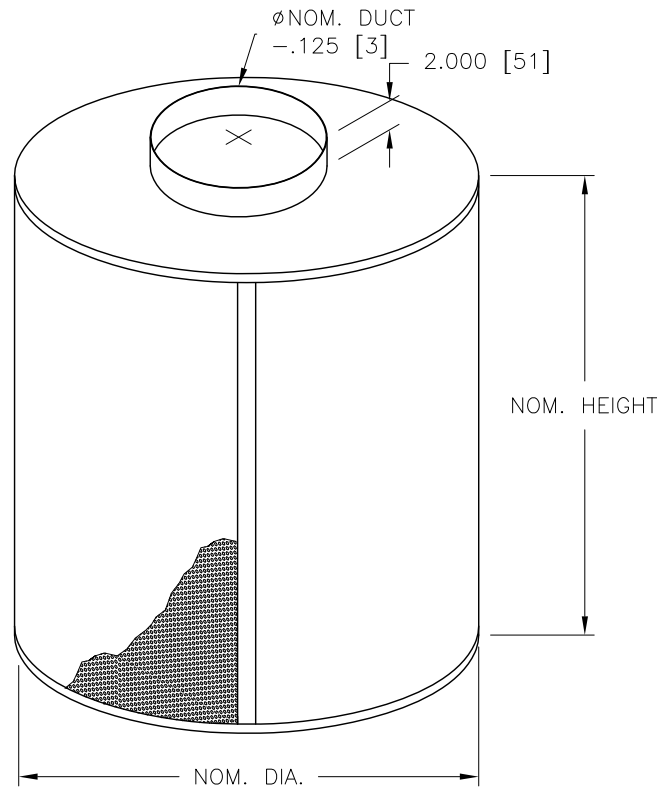


DR360 FULL CIRCULAR DISPLACEMENT DIFFUSER



NOMINAL SIZE

| IMPERIAL (METRIC) | | | | |
|-------------------|-------------|-------------|-------------------|----------------|
| DIA. | MIN. HEIGHT | MAX. HEIGHT | DUCT SIZE RANGE** | INLET LOCATION |
| 12 (305) | 12 (305) | 48 (1219) | 8 (204) | TOP / BOTTOM |
| 18 (457) | 12 (305) | 48 (1219) | 10-14 (254-356) | TOP / BOTTOM |
| 24 (610) | 12 (305) | 60 (1524) | 10-18 (254-457) | TOP / BOTTOM |
| 30 (762) | 24 (610) | 60 (1524) | 10-18 (254-457) | TOP / BOTTOM |
| 36 (915) | 24 (610) | 48 (1219) | 12-22 (305-559) | TOP / BOTTOM |
| 42 (1067) | 24 (610) | 48 (1219) | 16-22 (406-559) | TOP / BOTTOM |
| 48 (1219) | 24 (610) | 48 (1219) | 16-22 (406-559) | TOP / BOTTOM |

DIFFUSER:

STANDARD MATERIAL

- PERFORATED FRONT PANEL - 18 GA. STEEL.
- TOP AND BOTTOM - 20 GA. STEEL
- FRAME - ALUMINUM.

FINISH

- DIFFUSER - B12 WHITE (OPTIONAL FINISHES AVAILABLE)

OPTIONAL ACCESSORIES:

- BASE SEE SUBMITTAL 242748

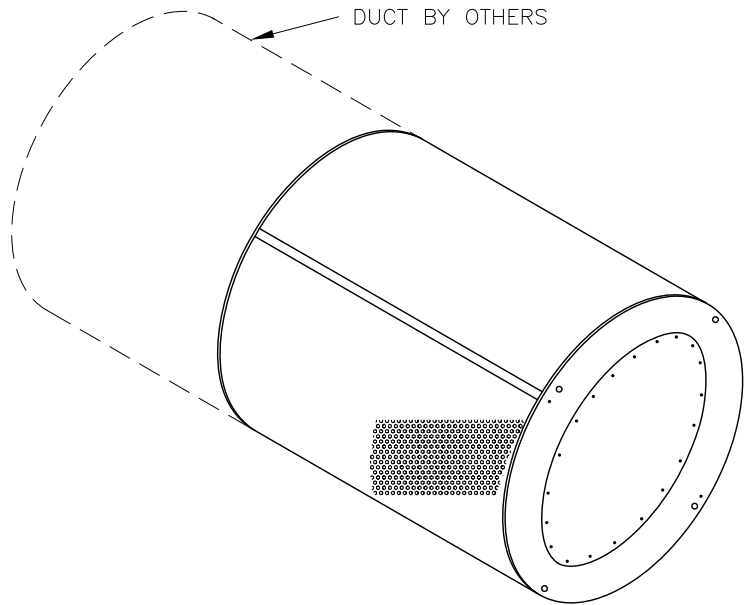
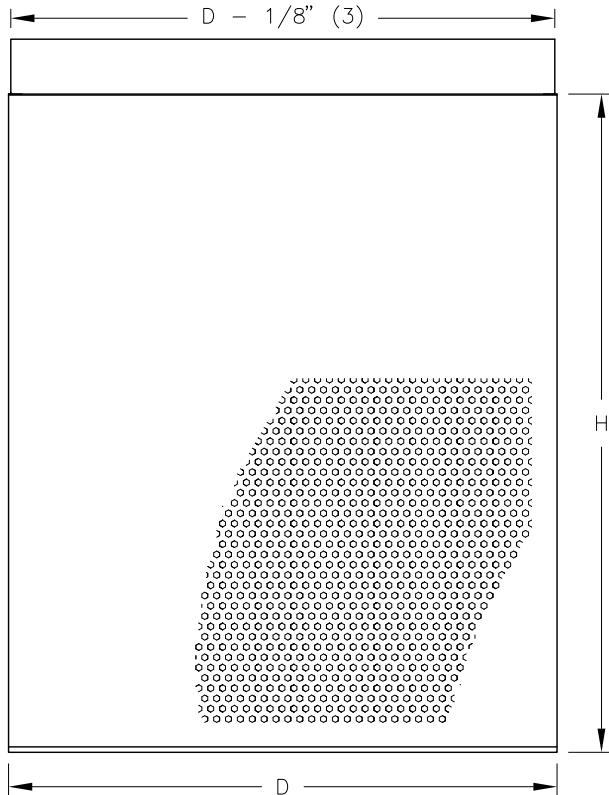
NOTE:

- ** INLETS AVAILABLE IN 2" INCREMENTS
- FACTORY TOLERANCE ±.0625" (2)
- ALL UNITS COME WITH INTERNAL BAFFLE
- INSTALLATION MANUAL I100018

ALL METRIC DIMENSIONS () ARE SOFT CONVERTED. IMPERIAL DIMENSIONS ARE CONVERTED TO METRIC AND ROUNDED TO THE NEAREST MILLIMETER.

| | | | |
|------------------------|----------------------|---------------------------|--|
| PROJECT: | | PRICE [®] | |
| ENGINEER: | | | DR360 FLOOR MOUNTED CIRCULAR DISPLACEMENT DIFFUSER |
| CUSTOMER: | | | |
| SUBMITTAL DATE: | SPEC. SYMBOL: | SEPT 2010 | |

DR360-DH DISPLACEMENT DIFFUSER - FULL CIRCULAR DUCT HANGING

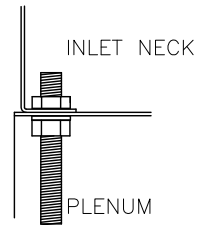


DR360-DH FINISH DETAILS

- SEAMLESS MOUNT TO DUCT FOR ARCHITECTURAL APPEAL
- MINIMAL TRIM AND CLEAN LINES

FACE VIEW

| D X H | DUCT |
|----------------------|----------|
| 18 X 24 (457 X 610) | 18 (457) |
| 18 X 36 (457 X 915) | 18 (457) |
| 18 X 48 (457 X 1219) | 18 (457) |
| 24 X 24 (610 X 610) | 24 (610) |
| 24 X 36 (610 X 915) | 24 (610) |
| 24 X 48 (610 X 1219) | 24 (610) |
| 24 X 60 (610 X 1524) | 24 (610) |
| 30 X 24 (762 X 610) | 30 (762) |
| 30 X 36 (762 X 915) | 30 (762) |
| 30 X 48 (762 X 1219) | 30 (762) |
| 30 X 60 (762 X 1524) | 30 (762) |



SAFETY BOLT DETAIL

DIFFUSER:

STANDARD MATERIAL

- TOP AND BOTTOM CAP - 18GA. STEEL
- PERFORATED FACE - 18GA. GALV. STEEL.
- FRAME: ALUMINUM

FINISH

- DIFFUSER - B12 WHITE
(OTHER FINISHES AVAILABLE)

NOTE:

- SAFETY BOLTS SUPPLIED IN UNIT
- FACTORY TOLERANCE $\pm 1/16"$ (2)
- ALL UNITS COME WITH INTERNAL BAFFLE
- INSTALLATION MANUAL I100017

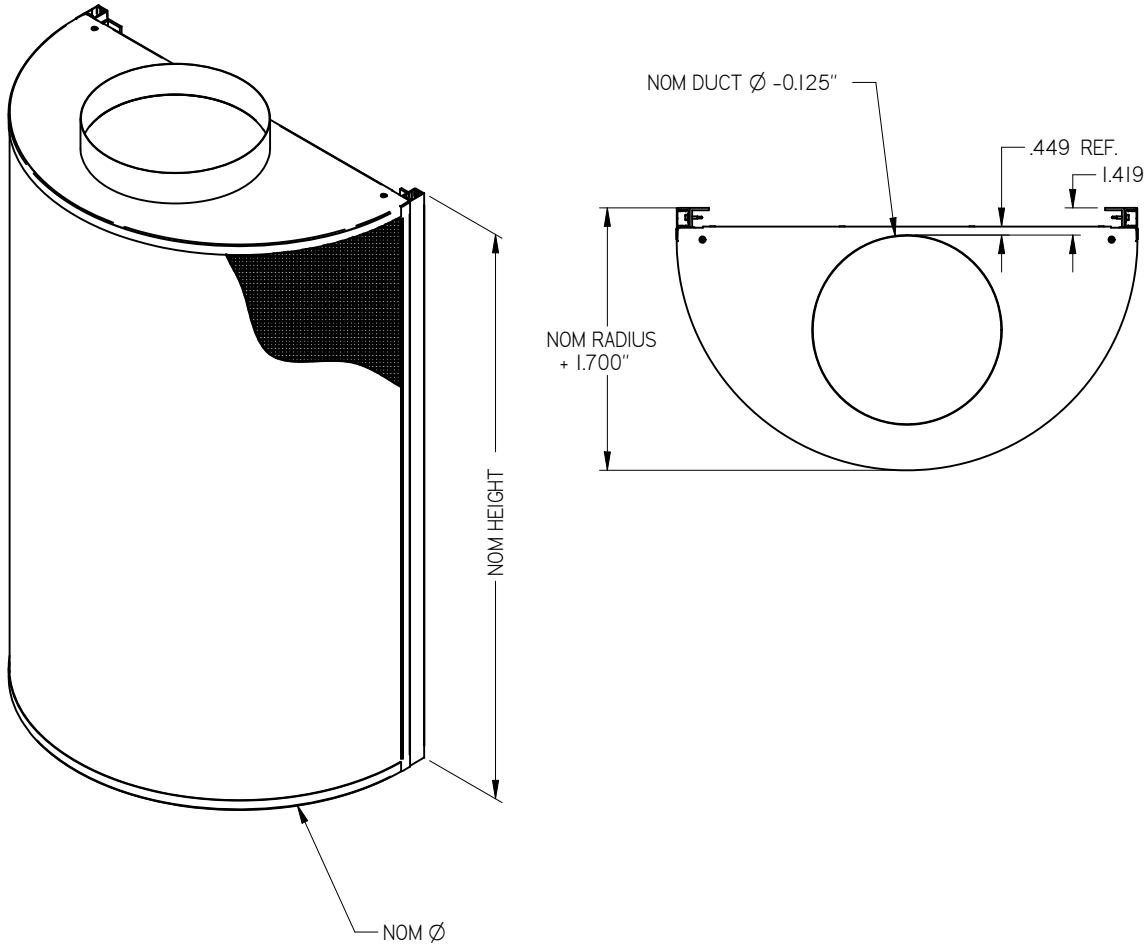
OPTIONS:

- S: SINGLE INLET
- D: DOUBLE INLET

ALL METRIC DIMENSIONS () ARE SOFT CONVERTED. IMPERIAL DIMENSIONS ARE CONVERTED TO METRIC AND ROUNDED TO THE NEAREST MILLIMETER.

| | | | |
|------------------------|----------------------|---------------------------|--|
| PROJECT: | | PRICE [®] | |
| ENGINEER: | | | DR360-DH DISPLACEMENT FULL CIRCULAR DUCT HANGING |
| CUSTOMER: | | 241469 | |
| SUBMITTAL DATE: | SPEC. SYMBOL: | APRIL 2011 | |

DR180 HALF CIRCULAR DISPLACEMENT DIFFUSER



DIFFUSER:

STANDARD MATERIAL:

- PERFORATED FRONT PANEL - 18 GA STEEL
- TOP AND BOTTOM - 20 GA STEEL
- FRAME - ALUMINUM

FINISH:

- DIFFUSER - B12 WHITE
- (OPTIONAL FINISHES AVAILABLE)

NOTES:

- FACTORY TOLERANCE +/- .0625" (2)
- ALL UNITS COME WITH INTERNAL BAFFLE

INSTALLATION:

- SEE INSTALLATION MANUAL I100019

OPTIONAL ACCESSORIES:

- BASE SEE SUBMITTAL 241596
- DUCT COVER SEE SUBMITTAL 241596

OPTIONAL INLET LOCATIONS: AS LISTED

- TOP
- REAR
- BOTTOM
- FIELD CUT INLET SEE SUBMITTAL 254716



ALL METRIC DIMENSIONS () ARE SOFT CONVERTED. IMPERIAL DIMENSIONS ARE CONVERTED TO METRIC AND ROUNDED TO THE NEAREST MILLIMETER.

| | | |
|-----------------|---------------|---|
| PROJECT: | | PRICE |
| ENGINEER: | | |
| CUSTOMER: | | 239995 |
| SUBMITTAL DATE: | SPEC. SYMBOL: | FEB 2011 |
| | | DR180 FLOOR MOUNTED CIRCULAR DISPLACEMENT DIFFUSER |

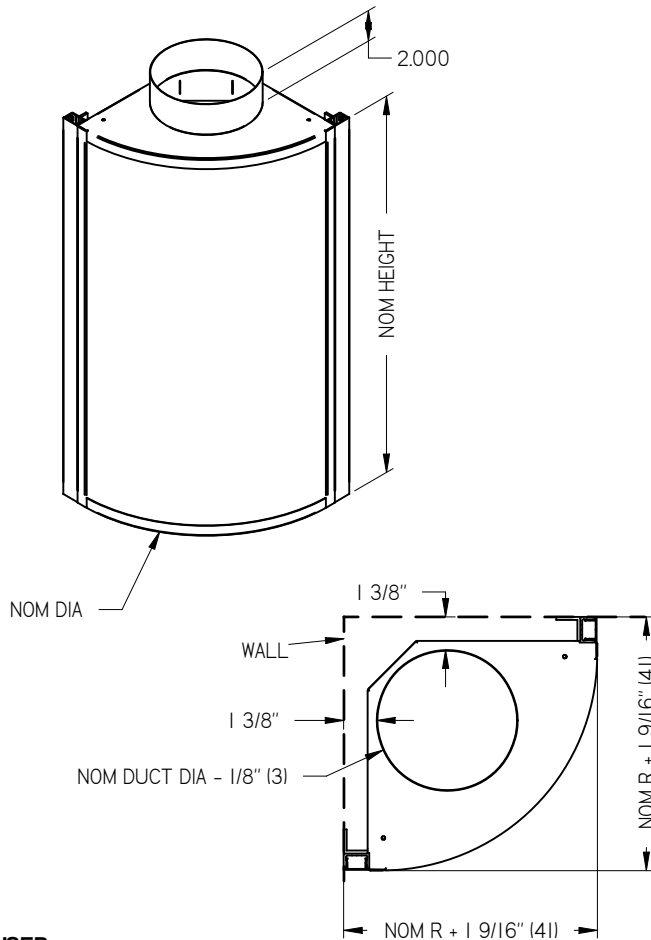
DR180 HALF CIRCULAR DISPLACEMENT DIFFUSER

| NOMINAL SIZE | | | NOMINAL SIZE | | |
|----------------------|--------------------|-----------------|-----------------------|-----------------------|-----------------|
| IMPERIAL (METRIC) | | | IMPERIAL (METRIC) | | |
| DIA/ x H | DUCT | LOCATION | DIA/ x H | DUCT | LOCATION |
| 18 X 24 (457 X 610) | 6 (152) | TOP/BOTTOM/REAR | 36 X 24 (915 X 610) | 10 (254) | TOP/BOTTOM/REAR |
| | 7 (178) | TOP/BOTTOM/REAR | | 12 (305) | TOP/BOTTOM/REAR |
| 18 X 36 (457 X 915) | 6 (152) | TOP/BOTTOM/REAR | 36 X 36 (915 X 915) | 10 (254) | TOP/BOTTOM/REAR |
| | 7 (178) | TOP/BOTTOM/REAR | | 12 (305) | TOP/BOTTOM/REAR |
| | 10 X 4 (254 X 102) | TOP/REAR | | 14 (256) | TOP/BOTTOM/REAR |
| | | 16 (406) | | TOP/BOTTOM/REAR | |
| 18 X 48 (457 X 1219) | 6 (152) | TOP/BOTTOM/REAR | 36 X 48 (915 X 1219) | 12 (305) | TOP/BOTTOM/REAR |
| | 7 (178) | TOP/BOTTOM/REAR | | 14 (256) | TOP/BOTTOM/REAR |
| | 10 X 4 (254 X 102) | TOP/REAR | | 16 (406) | TOP/BOTTOM/REAR |
| 24 X 24 (610 X 610) | 8 (204) | TOP/BOTTOM/REAR | 36 X 60 (915 X 1524) | 14 (356) | TOP/BOTTOM/REAR |
| | 9 (229) | TOP/BOTTOM/REAR | | 16 (406) | TOP/BOTTOM/REAR |
| | 10 (254) | TOP/BOTTOM/REAR | | 12 (305) | TOP/BOTTOM/REAR |
| 24 X 36 (610 X 915) | 8 (204) | TOP/BOTTOM/REAR | 42 X 36 (1067 X 915) | 14 (256) | TOP/BOTTOM/REAR |
| | 9 (229) | TOP/BOTTOM/REAR | | 16 (406) | TOP/BOTTOM/REAR |
| | 10 (254) | TOP/BOTTOM/REAR | | 12 (305) | TOP/BOTTOM/REAR |
| 24 X 48 (610 X 1219) | 8 (204) | TOP/BOTTOM/REAR | 42 X 48 (1067 X 1219) | 14 (256) | TOP/BOTTOM/REAR |
| | 9 (229) | TOP/BOTTOM/REAR | | 16 (406) | TOP/BOTTOM/REAR |
| | 10 (254) | TOP/BOTTOM/REAR | | 12 (305) | TOP/BOTTOM/REAR |
| 24 X 60 (610 X 1524) | 9 (229) | TOP/BOTTOM/REAR | 42 X 60 (1067 X 1524) | 14 (256) | TOP/BOTTOM/REAR |
| | 10 (254) | TOP/BOTTOM/REAR | | 16 (406) | TOP/BOTTOM/REAR |
| | 16 X 5 (406 X 127) | TOP/REAR | | 12 (305) | TOP/BOTTOM/REAR |
| 30 X 24 (762 X 610) | 8 (204) | TOP/BOTTOM/REAR | 48 X 36 (1219 X 915) | 14 (256) | TOP/BOTTOM/REAR |
| | 10 (254) | TOP/BOTTOM/REAR | | 16 (406) | TOP/BOTTOM/REAR |
| 30 X 36 (762 X 915) | 8 (204) | TOP/BOTTOM/REAR | | 48 X 48 (1219 X 1219) | 14 (256) |
| | 10 (254) | TOP/BOTTOM/REAR | 16 (406) | | TOP/BOTTOM/REAR |
| | 12 (305) | TOP/BOTTOM/REAR | 14 (256) | | TOP/BOTTOM/REAR |
| 30 X 48 (762 X 1219) | 10 (254) | TOP/BOTTOM/REAR | 48 X 60 (1219 X 1524) | 16 (406) | TOP/BOTTOM/REAR |
| | 12 (305) | TOP/BOTTOM/REAR | | 14 (256) | TOP/BOTTOM/REAR |
| 30 X 60 (762 X 1524) | 10 (254) | TOP/BOTTOM/REAR | | | |
| | 12 (305) | TOP/BOTTOM/REAR | | | |
| | 20 X 6 (508 X 152) | TOP/REAR | | | |

ALL METRIC DIMENSIONS () ARE SOFT CONVERTED. IMPERIAL DIMENSIONS ARE CONVERTED TO METRIC AND ROUNDED TO THE NEAREST MILLIMETER.

| | | |
|-----------------|--|---|
| PROJECT: | |  |
| ENGINEER: | | |
| CUSTOMER: | | |
| SUBMITTAL DATE: | | |
| SPEC. SYMBOL: | |  |
| | | 239995 |
| | | FEB 2011 |
| | | DR180 FLOOR MOUNTED CIRCULAR DISPLACEMENT DIFFUSER |

DR90 QUARTER CIRCULAR DISPLACEMENT DIFFUSER



| NOMINAL SIZE | | | |
|-------------------|---------------|----------|------------|
| IMPERIAL (METRIC) | | | |
| DIA. X H | | DUCT DIA | INLET |
| 18 X 24 | (457 X 610) | 4 (102) | TOP/BOTTOM |
| 18 X 36 | (457 X 914) | 4 (102) | TOP/BOTTOM |
| 18 X 48 | (457 X 1219) | 4 (102) | TOP/BOTTOM |
| 24 X 24 | (610 X 610) | 6 (152) | TOP/BOTTOM |
| 24 X 24 | (610 X 610) | 7 (178) | TOP/BOTTOM |
| 24 X 36 | (610 X 914) | 6 (152) | TOP/BOTTOM |
| 24 X 36 | (610 X 914) | 7 (178) | TOP/BOTTOM |
| 24 X 48 | (610 X 1219) | 6 (152) | TOP/BOTTOM |
| 24 X 48 | (610 X 1219) | 7 (178) | TOP/BOTTOM |
| 24 X 60 | (610 X 1524) | 6 (152) | TOP/BOTTOM |
| 24 X 60 | (610 X 1524) | 7 (178) | TOP/BOTTOM |
| 30 X 24 | (762 X 610) | 8 (203) | TOP/BOTTOM |
| 30 X 36 | (762 X 914) | 8 (203) | TOP/BOTTOM |
| 30 X 48 | (762 X 1219) | 8 (203) | TOP/BOTTOM |
| 30 X 60 | (762 X 1524) | 8 (203) | TOP/BOTTOM |
| 36 X 24 | (914 X 610) | 10 (254) | TOP/BOTTOM |
| 36 X 24 | (914 X 610) | 12 (305) | TOP/BOTTOM |
| 36 X 36 | (914 X 914) | 10 (254) | TOP/BOTTOM |
| 36 X 36 | (914 X 914) | 12 (305) | TOP/BOTTOM |
| 36 X 48 | (914 X 1219) | 10 (254) | TOP/BOTTOM |
| 36 X 48 | (914 X 1219) | 12 (305) | TOP/BOTTOM |
| 36 X 60 | (914 X 1524) | 10 (254) | TOP/BOTTOM |
| 36 X 60 | (914 X 1524) | 12 (305) | TOP/BOTTOM |
| 42 X 36 | (1067 X 914) | 12 (305) | TOP/BOTTOM |
| 42 X 48 | (1067 X 1219) | 12 (305) | TOP/BOTTOM |
| 42 X 60 | (1067 X 1524) | 12 (305) | TOP/BOTTOM |
| 48 X 36 | (1219 X 914) | 14 (356) | TOP/BOTTOM |
| 48 X 48 | (1219 X 1219) | 14 (356) | TOP/BOTTOM |
| 48 X 60 | (1219 X 1524) | 14 (356) | TOP/BOTTOM |

DIFFUSER:

STANDARD MATERIAL:

- PERFORATED FRONT PANEL - 18 GA STEEL
- TOP AND BOTTOM - 20 GA STEEL
- FRAME - ALUMINUM

FINISH:

- DIFFUSER - B12 WHITE
- (OPTIONAL FINISHES AVAILABLE)

NOTES:

- FACTORY TOLERANCE +/- 1/16" (2)
- ALL UNITS COME WITH INTERNAL BAFFLE
- SEE INSTALLATION MANUAL I100021


OPTIONAL ACCESSORIES:

- BASE SEE SUBMITTAL 241596
- DUCT COVER SEE SUBMITTAL 241596

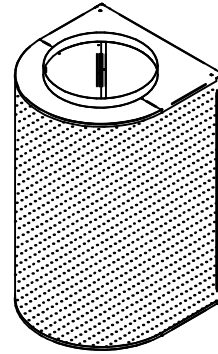
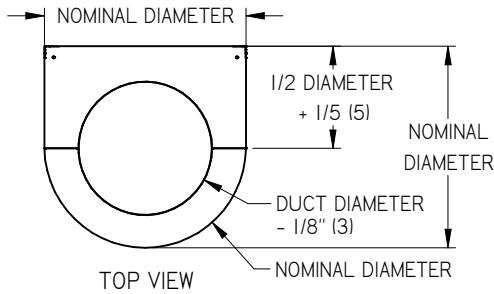
OPTIONAL INLET LOCATIONS: AS LISTED

- TOP
- BOTTOM
- FIELD CUT INLET, SEE SUBMITTAL 254716

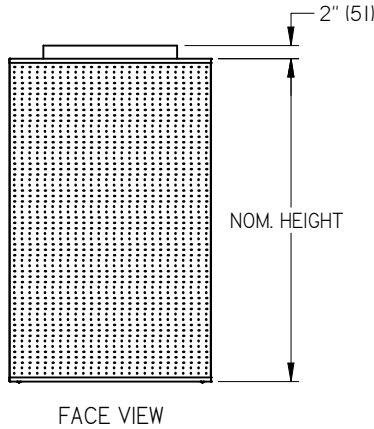
ALL METRIC DIMENSIONS () ARE SOFT CONVERTED. IMPERIAL DIMENSIONS ARE CONVERTED TO METRIC AND ROUNDED TO THE NEAREST MILLIMETER.

| | | |
|-----------------|--|--|
| PROJECT: | |  DR90 FLOOR MOUNTED CIRCULAR DISPLACEMENT DIFFUSER |
| ENGINEER: | | |
| CUSTOMER: | | |
| SUBMITTAL DATE: | | |
| SPEC. SYMBOL: | | 239996 |
| | | APRIL 2011 |

DR180U - U-SHAPED DISPLACEMENT DIFFUSER

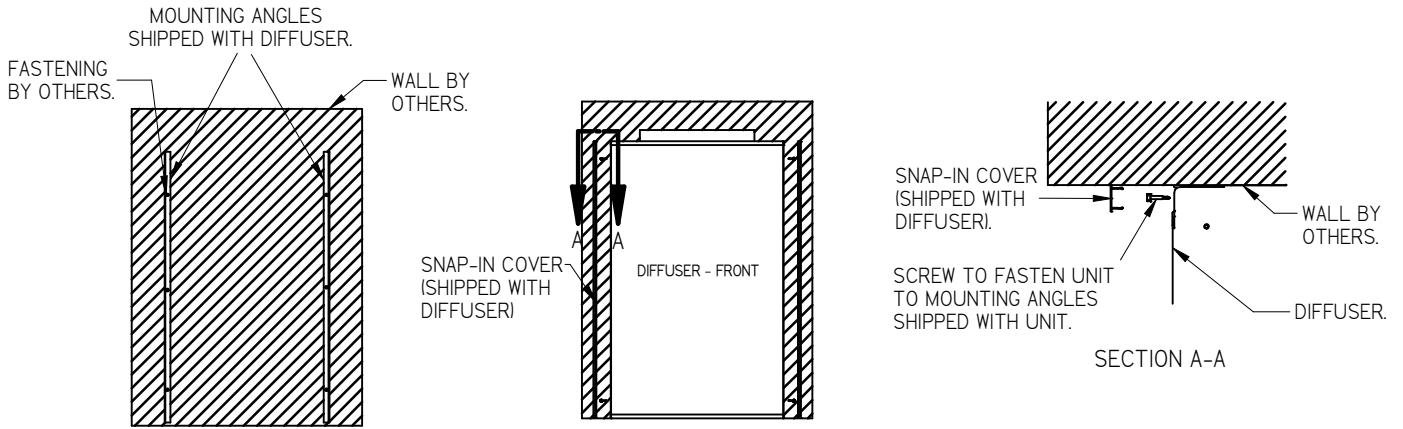


ISOMETRIC VIEW
(TOP INLET LOCATION IS SHOWN)



| NOMINAL SIZE | | | |
|-------------------|-----------|-------------|-------------|
| IMPERIAL (METRIC) | | | |
| NOMINAL DIAMETER | DUCT DIA. | MIN. HEIGHT | MAX. HEIGHT |
| 18" (457) | 10" (254) | 12" (305) | 60" (1524) |
| | 12" (305) | 12" (305) | 60" (1524) |
| 24" (610) | 16" (406) | 12" (305) | 60" (1524) |
| 30" (762) | 20" (508) | 12" (305) | 60" (1524) |
| 36" (914) | 24" (610) | 12" (305) | 60" (1524) |

SURFACE MOUNTING DETAIL



MATERIAL:

- PERFORATED FRONT PANEL - STEEL (18 GA.)
- TOP AND BOTTOM - STEEL (20 GA.)
- FRAME - ALUMINUM

FINISH:

- B12 - WHITE (OPTIONAL FINISHES AVAILABLE)

OPTIONAL ACCESSORIES:

- BASE (SEE SUBMITTAL # 266758)
- DUCT COVER (SEE SUBMITTAL # 266758)
- SEE INSTALLATION MANUAL I100019


NOTES:

- FACTORY TOLERANCE $\pm 1/16$ " (2)
- ALL UNITS COME WITH INTERNAL BAFFLE
- SEE INSTALLATION MANUAL I100019

OPTIONAL INLET LOCATIONS:

- TOP
- BOTTOM
- REAR

ALL METRIC DIMENSIONS () ARE SOFT CONVERTED. IMPERIAL DIMENSIONS ARE CONVERTED TO METRIC AND ROUNDED TO THE NEAREST MILLIMETER.

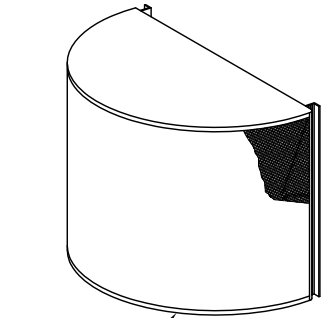
| | | |
|------------------------|----------------------|--|
| PROJECT: | |  DR180U FLOOR MOUNTED U-SHAPED DISPLACEMENT DIFFUSER |
| ENGINEER: | | |
| CUSTOMER: | | |
| SUBMITTAL DATE: | SPEC. SYMBOL: | |
| | | NS 243435 2021-10-06 |

DR90/DR180 FIELD-CUT INLET

AREA AVAILABLE FOR INLET

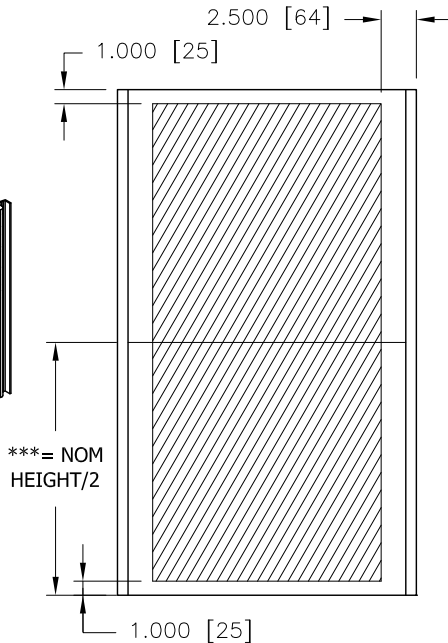
THE AREA DIMENSIONED MAY BE USED FOR CUTTING AND PLACING THE INLET

DR180

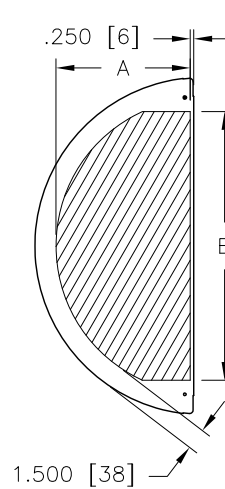


NOM. DIA.

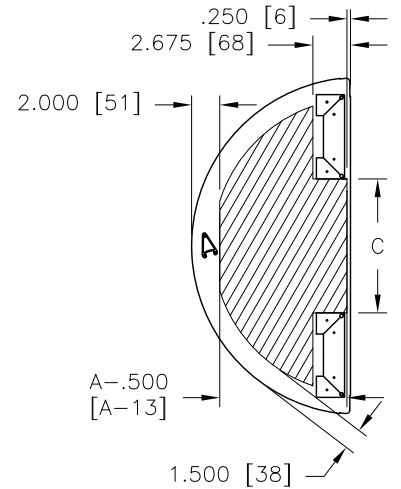
FACE VIEW



REAR PANEL VIEW



TOP AND BOTTOM VIEW



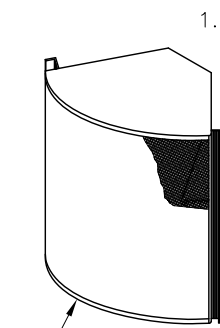
BOTTOM VIEW W/BASE COVER

NOTE FOR DR180:
***IF UNIT IS SHORTER THAN 36" A SPLIT BACK-PANEL WILL BE USED. SEE DETAIL.

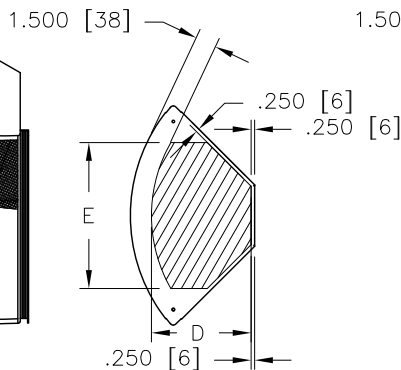
DR180 NOMINAL SIZE

| IMPERIAL (METRIC) | | | |
|-------------------|----------|-----------|-----------|
| NOM. DIA. | A | B | C |
| 18 (457) | 7 (178) | 13 (330) | 7½ (191) |
| 24 (610) | 10 (254) | 19 (483) | 9½ (241) |
| 30 (762) | 13 (330) | 25 (635) | 12½ (318) |
| 36 (915) | 16 (406) | 31 (787) | 14½ (368) |
| 42 (1067) | 19 (483) | 27 (940) | 16½ (419) |
| 48 (1219) | 22 (559) | 43 (1092) | 18½ (470) |

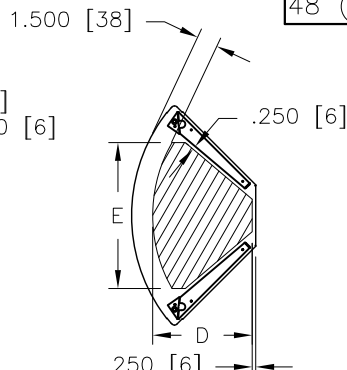
DR90



FACE VIEW



TOP AND BOTTOM VIEW



BOTTOM VIEW W/ BASE COVER

NOTE:

- FACTORY TOLERANCE ±.0625" (2)

ALL METRIC DIMENSIONS () ARE SOFT CONVERTED. IMPERIAL DIMENSIONS ARE CONVERTED TO METRIC AND ROUNDED TO THE NEAREST MILLIMETER.

DR90 NOMINAL SIZE

| IMPERIAL (METRIC) | | |
|-------------------|-----------|-----------|
| NOM. DIA. | D | E |
| 18 (457) | 4½ (114) | 7 (178) |
| 24 (610) | 7 (178) | 11¾ (289) |
| 30 (762) | 9½ (241) | 15⅝ (397) |
| 36 (915) | 12 (305) | 19⅞ (505) |
| 42 (1067) | 14½ (368) | 24⅛ (613) |
| 48 (1219) | 16½ (419) | 28⅜ (721) |

PROJECT:

ENGINEER:

CUSTOMER:

SUBMITTAL DATE:

SPEC. SYMBOL:



254716

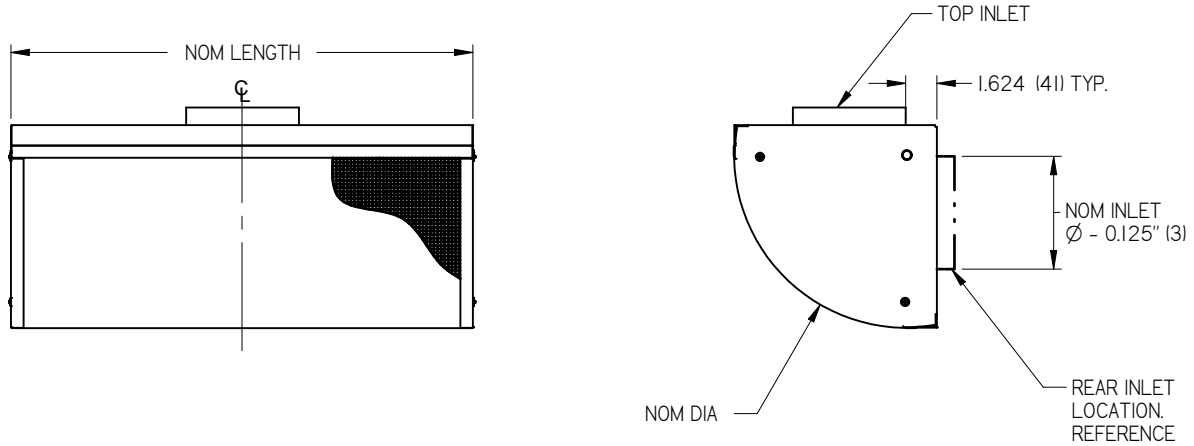
APRIL 2011

DR90/DR180

FLOOR MOUNTED NO INLET CIRCULAR DISPLACEMENT DIFFUSER

DR90-H HORIZONTALLY MOUNTED
QUARTER CIRCULAR DISPLACEMENT DIFFUSER

TOP / REAR INLET, ROUND. TOP INLET SHOWN. FLIP UNIT FOR REAR INLET.



DIFFUSER:

STANDARD MATERIAL:

- PERFORATED FRONT PANEL -18 GA STEEL
- END CAPS - 20 GA STEEL
- FRAME - ALUMINUM

FINISH:

- DIFFUSER - B12 WHITE
- (OPTIONAL FINISHES AVAILABLE)

NOTES:

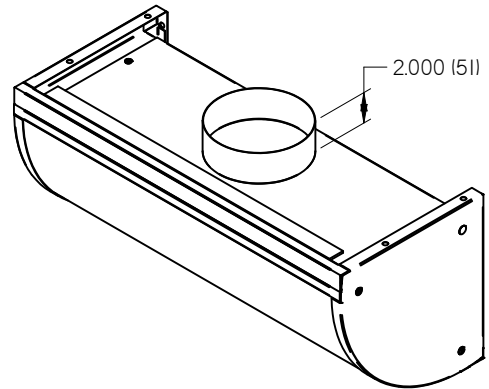
- FACTORY TOLERANCE +/- 1/16" (2)
- ALL UNITS COME WITH INTERNAL BAFFLE
- SEE INSTALLATION MANUAL I100038

OPTIONAL ACCESSORIES:

- DUCT COVER SEE SUBMITTAL 241596

OPTIONAL INLET LOCATIONS: AS LISTED

- LEFT / RIGHT
- TOP / REAR
- FIELD CUT INLET

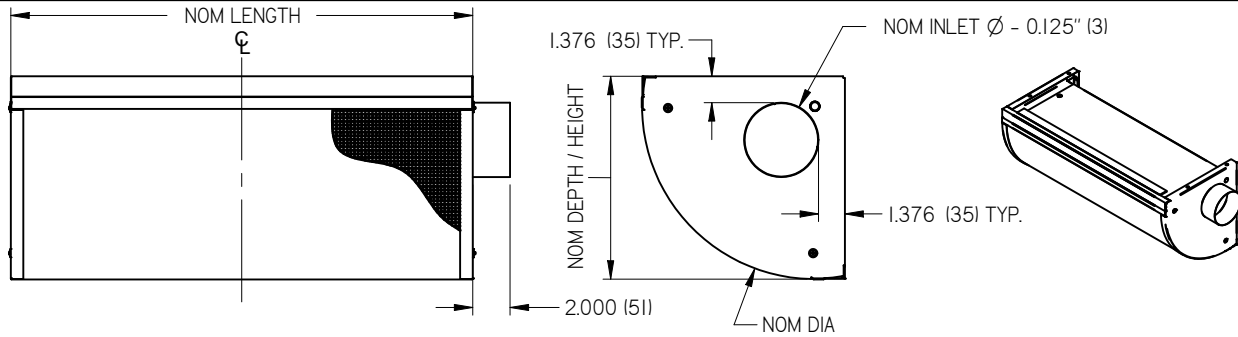


ALL METRIC DIMENSIONS () ARE SOFT CONVERTED. IMPERIAL DIMENSIONS ARE CONVERTED TO METRIC AND ROUNDED TO THE NEAREST MILLIMETER.

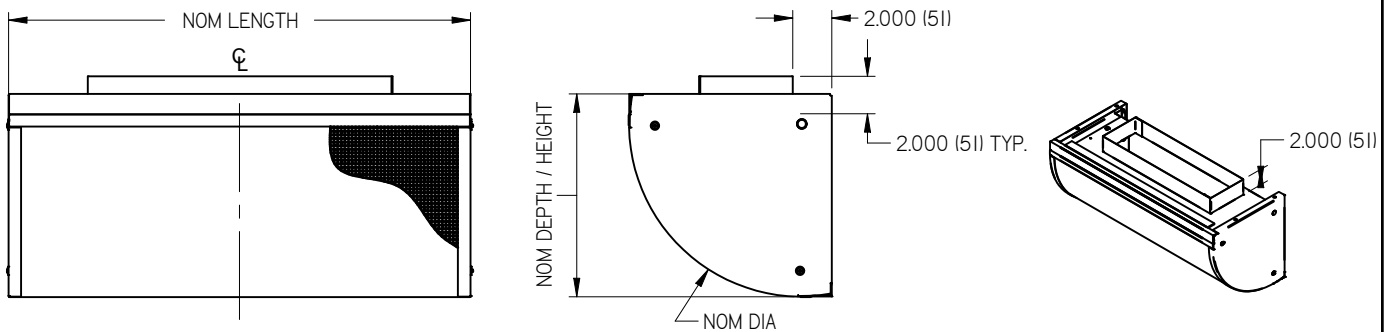
| | | |
|-----------------|--|--|
| PROJECT: | | PRICE |
| ENGINEER: | | |
| CUSTOMER: | | R |
| SUBMITTAL DATE: | | 258868 |
| SPEC. SYMBOL: | | DR90-H |
| | | HORIZONTALLY MOUNTED QUARTER CIRCULAR DISPLACEMENT DIFFUSER |
| | | SEPT 2011 |

**DR90-H HORIZONTALLY MOUNTED
QUARTER CIRCULAR DISPLACEMENT DIFFUSER**

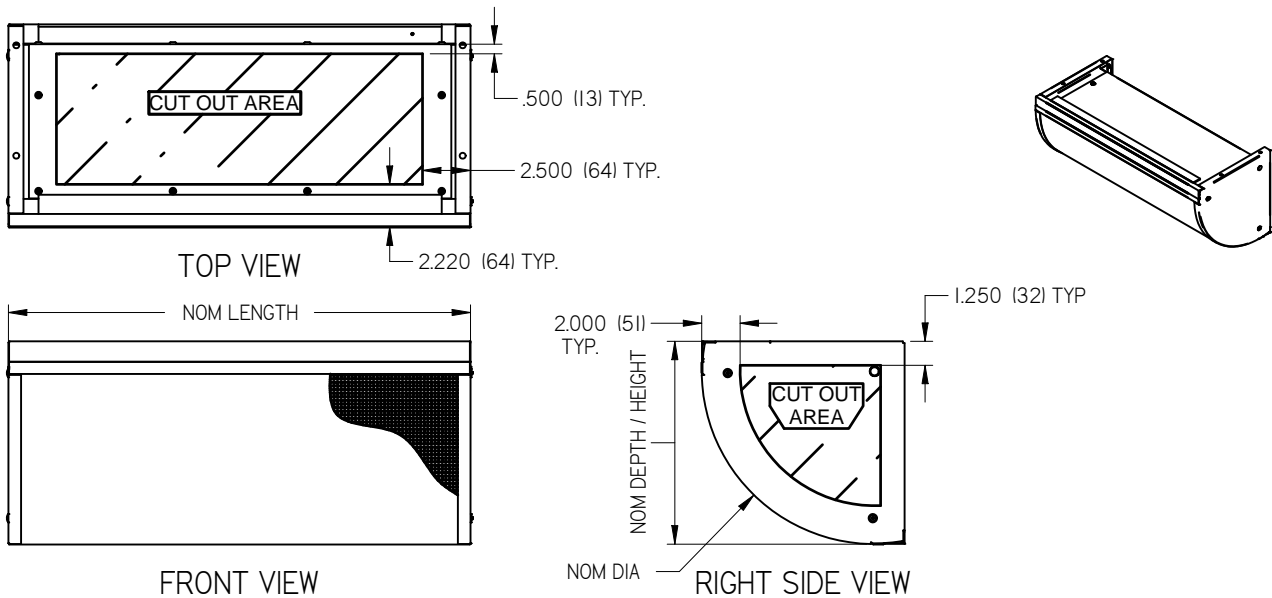
- LEFT / RIGHT SIDE INLET, ROUND. RIGHT SIDE INLET SHOWN. FLIP UNIT FOR LEFT SIDE INLET.



- TOP / REAR INLET, RECTANGULAR. TOP INLET SHOWN. FLIP UNIT FOR REAR INLET.



- FC (FIELD CUT) INLET. HATCHED AREA SHOWS POSSIBLE CUT OUT AREA.



ALL METRIC DIMENSIONS () ARE SOFT CONVERTED. IMPERIAL DIMENSIONS ARE CONVERTED TO METRIC AND ROUNDED TO THE NEAREST MILLIMETER.

PROJECT:

ENGINEER:

CUSTOMER:

SUBMITTAL DATE:

SPEC. SYMBOL:



258868



SEPT 2011

**DR90-H
HORIZONTALLY MOUNTED
QUARTER CIRCULAR
DISPLACEMENT
DIFFUSER**

DR90-H HORIZONTALLY MOUNTED
QUARTER CIRCULAR DISPLACEMENT DIFFUSER

| NOMINAL SIZE | | | | | | |
|------------------------|------------------|-------------------------|------------|------------|--------------------------|--|
| IMPERIAL (METRIC) | | | | | | |
| DIA. X LENGTH | NOM DEPTH/HEIGHT | NOM INLET, DUCT (ROUND) | | | INLET LOCATION (ROUND) | |
| 18 X 24 (457 X 610) | 10 9/16 | 4 (102) | 6 (152) | | TOP/REAR, END LEFT/RIGHT | |
| 18 X 36 (457 X 914) | 10 9/16 | 4 (102) | 6 (152) | | TOP/REAR, END LEFT/RIGHT | |
| 18 X 48 (457 X 1219) | 10 9/16 | 6 (152) | | | TOP/REAR, END LEFT/RIGHT | |
| 18 X 60 (457 X 1524) | 10 9/16 | 6 (152) | | | TOP/REAR, END LEFT/RIGHT | |
| 18 X 72 (457 X 1829) | 10 9/16 | 6 (152) | | | TOP/REAR, END LEFT/RIGHT | |
| 18 X 84 (457 X 2134) | 10 9/16 | 6 (152) | | | TOP/REAR, END LEFT/RIGHT | |
| 18 X 96 (457 X 2438) | 10 9/16 | 6 (152) | | | TOP/REAR, END LEFT/RIGHT | |
| 24 X 24 (610 X 610) | 13 9/16 | 6 (152) | 8 (203) | 9 (229) | TOP/REAR, END LEFT/RIGHT | |
| 24 X 36 (610 X 914) | 13 9/16 | 6 (152) | 8 (203) | 9 (229) | TOP/REAR, END LEFT/RIGHT | |
| 24 X 48 (610 X 1219) | 13 9/16 | 6 (152) | 8 (203) | 9 (229) | TOP/REAR, END LEFT/RIGHT | |
| 24 X 60 (610 X 1524) | 13 9/16 | 6 (152) | 8 (203) | 9 (229) | TOP/REAR, END LEFT/RIGHT | |
| 24 X 72 (610 X 1829) | 13 9/16 | 6 (152) | 8 (203) | 9 (229) | TOP/REAR, END LEFT/RIGHT | |
| 24 X 84 (610 X 2134) | 13 9/16 | 6 (152) | 8 (203) | 9 (229) | TOP/REAR, END LEFT/RIGHT | |
| 24 X 96 (610 X 2438) | 13 9/16 | 6 (152) | 8 (203) | 9 (229) | TOP/REAR, END LEFT/RIGHT | |
| 30 X 24 (762 X 610) | 16 9/16 | 8 (203) | 10 (254) | | TOP/REAR, END LEFT/RIGHT | |
| 30 X 36 (762 X 914) | 16 9/16 | 8 (203) | 10 (254) | | TOP/REAR, END LEFT/RIGHT | |
| 30 X 48 (762 X 1219) | 16 9/16 | 8 (203) | 10 (254) | | TOP/REAR, END LEFT/RIGHT | |
| 30 X 60 (762 X 1524) | 16 9/16 | 8 (203) | 10 (254) | | TOP/REAR, END LEFT/RIGHT | |
| 30 X 72 (762 X 1829) | 16 9/16 | 8 (203) | 10 (254) | | TOP/REAR, END LEFT/RIGHT | |
| 30 X 84 (762 X 2134) | 16 9/16 | 8 (203) | 10 (254) | | TOP/REAR, END LEFT/RIGHT | |
| 30 X 96 (762 X 2438) | 16 9/16 | 8 (203) | 10 (254) | | TOP/REAR, END LEFT/RIGHT | |
| 36 X 24 (914 X 610) | 19 9/16 | 10 (254) | 12 (305) | 14 (356) | TOP/REAR, END LEFT/RIGHT | |
| 36 X 36 (914 X 914) | 19 9/16 | 10 (254) | 12 (305) | 14 (356) | TOP/REAR, END LEFT/RIGHT | |
| 36 X 48 (914 X 1219) | 19 9/16 | 10 (254) | 12 (305) | 14 (356) | TOP/REAR, END LEFT/RIGHT | |
| 36 X 60 (914 X 1524) | 19 9/16 | 10 (254) | 12 (305) | 14 (356) | TOP/REAR, END LEFT/RIGHT | |
| 36 X 72 (914 X 1829) | 19 9/16 | 10 (254) | 12 (305) | 14 (356) | TOP/REAR, END LEFT/RIGHT | |
| 36 X 84 (914 X 2134) | 19 9/16 | 10 (254) | 12 (305) | 14 (356) | TOP/REAR, END LEFT/RIGHT | |
| 36 X 96 (914 X 2438) | 19 9/16 | 10 (254) | 12 (305) | 14 (356) | TOP/REAR, END LEFT/RIGHT | |



ALL METRIC DIMENSIONS () ARE SOFT CONVERTED. IMPERIAL DIMENSIONS ARE CONVERTED TO METRIC AND ROUNDED TO THE NEAREST MILLIMETER.

| | | |
|-----------------|--|---|
| PROJECT: | |  |
| ENGINEER: | | |
| CUSTOMER: | |  |
| SUBMITTAL DATE: | | 258868 |
| SPEC. SYMBOL: | | DR90-H HORIZONTALLY MOUNTED QUARTER CIRCULAR DISPLACEMENT DIFFUSER |
| | | SEPT 2011 |

DR90-H HORIZONTALLY MOUNTED
QUARTER CIRCULAR DISPLACEMENT DIFFUSER

| NOMINAL SIZE | | | |
|------------------------|------------------|------------------------------|------------------------------|
| IMPERIAL (METRIC) | | | |
| DIA. X LENGTH | NOM DEPTH/HEIGHT | NOM INLET DUCT (RECTANGULAR) | INLET LOCATION (RECTANGULAR) |
| 18 X 24 (457 X 610) | 10 9/16 | 14 X 6 (356 X 152) | TOP/REAR, |
| 18 X 36 (457 X 914) | 10 9/16 | 14 X 6 (356 X 152) | TOP/REAR, |
| 18 X 48 (457 X 1219) | 10 9/16 | 14 X 6 (356 X 152) | TOP/REAR, |
| 18 X 60 (457 X 1524) | 10 9/16 | 20 X 6 (508 X 152) | TOP/REAR, |
| 18 X 72 (457 X 1829) | 10 9/16 | 20 X 6 (508 X 152) | TOP/REAR, |
| 18 X 84 (457 X 2134) | 10 9/16 | 20 X 6 (508 X 152) | TOP/REAR, |
| 18 X 96 (457 X 2438) | 10 9/16 | 20 X 6 (508 X 152) | TOP/REAR, |
| 24 X 24 (610 X 610) | 13 9/16 | 16 X 5 (406 X 127) | TOP/REAR, |
| 24 X 36 (610 X 914) | 13 9/16 | 16 X 5 (406 X 127) | TOP/REAR, |
| 24 X 48 (610 X 1219) | 13 9/16 | 16 X 8 (406 X 203) | TOP/REAR, |
| 24 X 60 (610 X 1524) | 13 9/16 | 16 X 8 (406 X 203) | TOP/REAR, |
| 24 X 72 (610 X 1829) | 13 9/16 | 24 X 8 (610 X 203) | TOP/REAR, |
| 24 X 84 (610 X 2134) | 13 9/16 | 24 X 8 (610 X 203) | TOP/REAR, |
| 24 X 96 (610 X 2438) | 13 9/16 | 24 X 8 (610 X 203) | TOP/REAR, |
| 30 X 24 (762 X 610) | 16 9/16 | 16 X 8 (406 X 203) | TOP/REAR, |
| 30 X 36 (762 X 914) | 16 9/16 | 16 X 8 (406 X 203) | TOP/REAR, |
| 30 X 48 (762 X 1219) | 16 9/16 | 16 X 8 (406 X 203) | TOP/REAR, |
| 30 X 60 (762 X 1524) | 16 9/16 | 24 X 8 (610 X 203) | TOP/REAR, |
| 30 X 72 (762 X 1829) | 16 9/16 | 24 X 8 (610 X 203) | TOP/REAR, |
| 30 X 84 (762 X 2134) | 16 9/16 | 24 X 10 (610 X 254) | TOP/REAR, |
| 30 X 96 (762 X 2438) | 16 9/16 | 24 X 10 (610 X 254) | TOP/REAR, |
| 36 X 24 (914 X 610) | 19 9/16 | 18 X 8 (457 X 203) | TOP/REAR, |
| 36 X 36 (914 X 914) | 19 9/16 | 24 X 8 (610 X 203) | TOP/REAR, |
| 36 X 48 (914 X 1219) | 19 9/16 | 24 X 8 (610 X 203) | TOP/REAR, |
| 36 X 60 (914 X 1524) | 19 9/16 | 24 X 10 (610 X 254) | TOP/REAR, |
| 36 X 72 (914 X 1829) | 19 9/16 | 24 X 10 (610 X 254) | TOP/REAR, |
| 36 X 84 (914 X 2134) | 19 9/16 | 24 X 10 (610 X 254) | TOP/REAR, |
| 36 X 96 (914 X 2438) | 19 9/16 | 24 X 10 (610 X 254) | TOP/REAR, |

ALL METRIC DIMENSIONS () ARE SOFT CONVERTED. IMPERIAL DIMENSIONS ARE CONVERTED TO METRIC AND ROUNDED TO THE NEAREST MILLIMETER.

| | | |
|-----------------|--|---|
| PROJECT: | |  |
| ENGINEER: | | |
| CUSTOMER: | |  |
| SUBMITTAL DATE: | | 258868 |
| SPEC. SYMBOL: | | DR90-H HORIZONTALLY MOUNTED QUARTER CIRCULAR DISPLACEMENT DIFFUSER |
| | | SEPT 2011 |